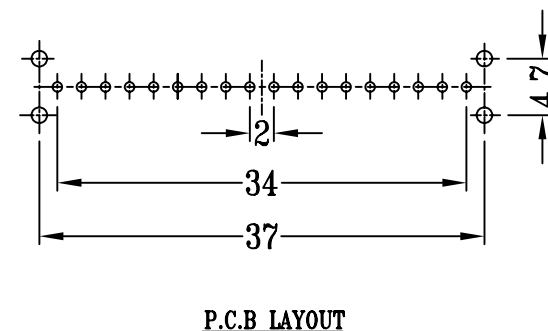
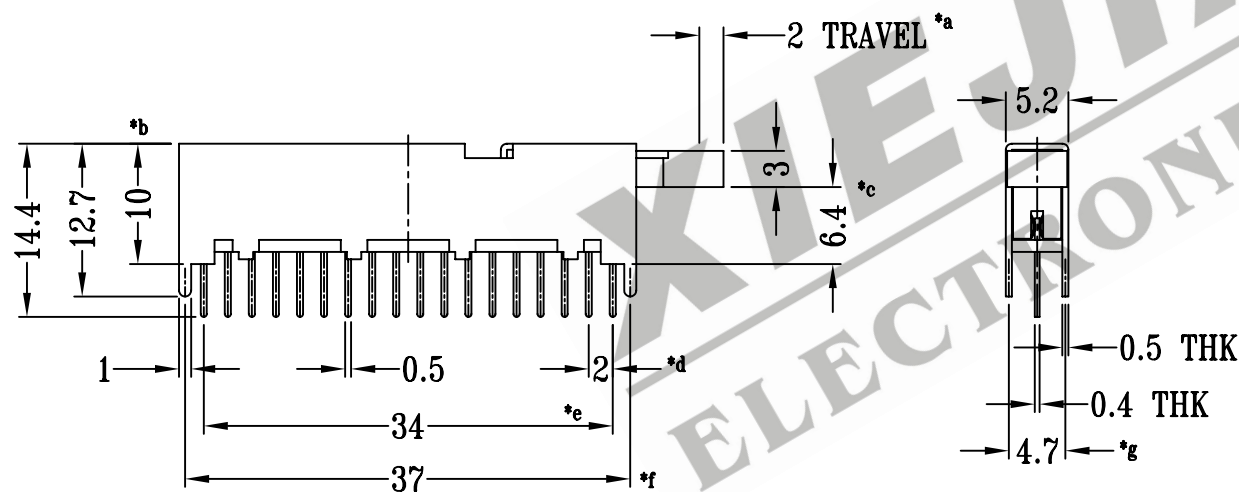
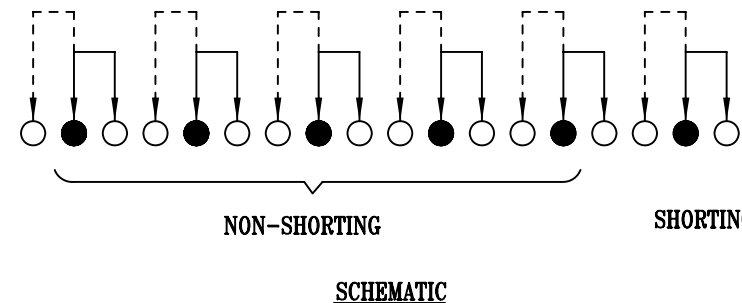
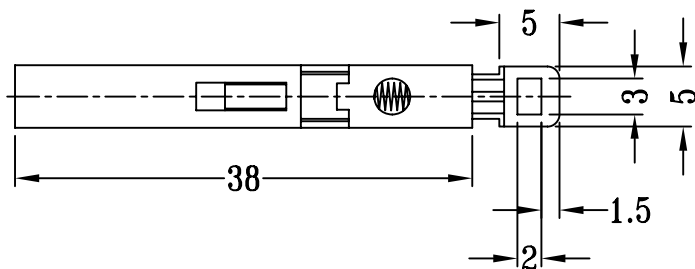


CAD FILE:



注:带*表示关键尺寸(7个)

8	SPRING	STEEL WIRE	1	TEMPER	TOLERANCE UNLESS SPECIFIED	SHENZHEN XIEJIA ELECTRONICS CO.,LTD.				
7	TERMINAL	BRASS STRIP	3	Ag PLATED OVER Ni PLATED						
6	CONTACT CLIP	PBS	1	Ag CLAD	WITHIN: 1.5±0.1mm OVER : 1.5±0.2mm	ISSUE	DATE	DESCRIPTIONS		APPD.
5	CONTACT CLIP	PBS STRIP	5	Ag PLATED						
4	KNOB	ABS	1	BLACK	TITLE : PUSH SWITCH		UNIT : MM	DRWG NO.: XJ-DR-PS62D16-00		
3	TERMINAL	BRASS STRIP	15	Ag PLATED OVER Ni PLATED	MODEL: PS-62D16		SCALE: 3:2	DWN.	ZHOUYU	2004-7-1
2	BASE	PHENOLIC RESIN	1	NATURAL				CHK'D	FANGYING	2004-7-1
1	FRAME	STEEL STRIP	1	Ni PLATED	ALL MATERIALS MUST BE COMPLIANT TO ROHS			APPD.	KANGXINAN	2004-7-1
NO.	PART NAME	MATERIAL	Q'TY	FINISHING						